

3.5mm耳机插座6PIN六脚沉板音频接口卧式厂家LZG耳机母座12V1A

产品名称	3.5mm耳机插座6PIN六脚沉板音频接口卧式厂家LZG耳机母
生产厂家	广东小迈实业有限公司
价格	/
规格参数	品牌:LZG 音频接口:6脚沉板12V1A 特性:防水IPX7
公司地址	东莞市横沥镇西城一区西聚路1号
联系电话	18938295875

产品详情

3.5mm耳机插座6PIN六脚沉板音频接口卧式厂家LZG耳机母座12V1A

基本参数：

型号：ZB23020-06SBAP-A

包装：1000/盘

3.5MM防水耳机插座，防水等级IPx7,产品可兼容CUI ADM TIC等品牌产品。



ZB23020-06SBAP-A



耳机插座

音频视频连接器制造厂家

3.5mm
12V1A



耳机插座

源头工厂

支持定制

免费拿样



3.5

ZB23020-06SBAP-A

生产厂家 欢迎来访

产品应用



汽车领域
Automotive Electronics Field



数码产品
Digital Product



电子产品
Electronics



家用电器
Household Appliances



通信产品
Communication Products



影音产品
Audio and video products



智能家居
Smart Home



专注防水连接器生产制造



waterproof headphone socket

✓ NOTES:

1. MATERIAL: SEE "TABLE 1".
2. FINISH: SEE "TABLE 1".
3. ELECTRICAL:
 - 3.1. VOLTAGE RATING: 12 VAC RMS.
 - 3.2. CURRENT RATING: 1 AMP.
 - 3.3. CONTACT RESISTANCE: 50mΩ Max.(Initial),
100mΩ Max.(After Life test).
 - 3.4. INSULATION RESISTANCE: 100 MΩ Min., 500VDC.(Initial),
50 MΩ Min., 500VDC.(After Humidity test).
 - 3.5. WITHSTAND VOLTAGE: 500 VAC RMS 50(60)Hz, 1 minute.
4. MECHANICAL: 4.1. MATING FORCE: 3.0Kgf MAX.

ISO
9001:2015

✓
RoHS

✓ ISO
14001:2015



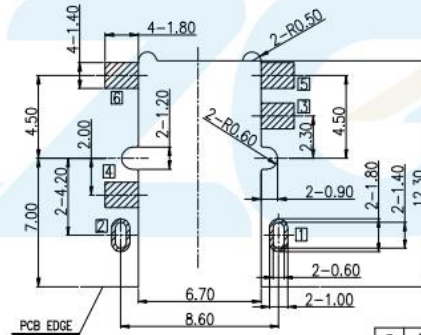
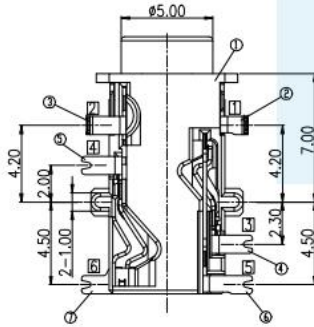
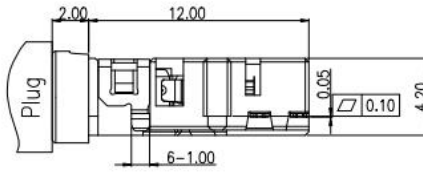
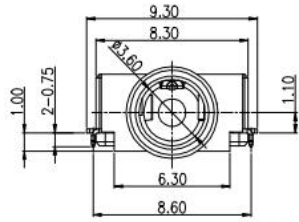
LZG INDUSTRIAL CO.,LTD

RoHS
Compliant

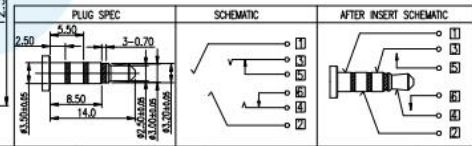
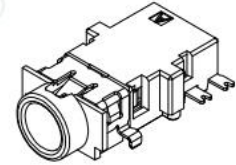
ZONE	EC N. NO	DESCRIPTION	DRAWING	DATE
A		INITIAL	林生財	2020.02.18

NOTES:

1. MATERIAL: SEE "TABLE 1";
2. FINISH: SEE "TABLE 1";
3. ELECTRICAL:
 - 3.1. VOLTAGE RATING: 12 VAC RMS;
 - 3.2. CURRENT RATING: 1 AMP;
 - 3.3. CONTACT RESISTANCE: 50mΩ Max.(Initial), 100mΩ Max.(After Life test);
 - 3.4. INSULATION RESISTANCE: 100 MΩ Min., 500VDC.(Initial), 50 MΩ Min., 500VDC.(After Humidity test);
 - 3.5. WITHSTAND VOLTAGE: 500 VAC RMS 50(60)Hz, 1 minute
4. MECHANICAL:
 - 4.1. MATING FORCE: 3.0Kgf MAX.;
 - 4.2. UNMATING FORCE: 0.3Kgf MIN.;
 - 4.3. OPERATING LIFE: 5000 CYCLES MIN.;
5. ENVIRONMENTAL:
 - 5.1. OPERATION: -30°C~+80°C.



RECOMMENDED P.C.B LAYOUT
TOP VIEW (TOLRANCE:±0.05)



NO.	DESCRIPTION	MATERIAL	REMARKS	QTY
7	TERMINAL 6	COPPER ALLOY T=0.2	CONTACT AREA OF SOLDER AREA OF, M 40% OVER ALL	1
6	TERMINAL 5	COPPER ALLOY T=0.2	CONTACT AREA OF SOLDER AREA OF, M 40% OVER ALL	1
5	TERMINAL 4	COPPER ALLOY T=0.2	CONTACT AREA OF SOLDER AREA OF, M 40% OVER ALL	1
4	TERMINAL 3	COPPER ALLOY T=0.2	CONTACT AREA OF SOLDER AREA OF, M 40% OVER ALL	1
3	TERMINAL 2	COPPER ALLOY T=0.2	CONTACT AREA OF SOLDER AREA OF, M 40% OVER ALL	1
2	TERMINAL 1	COPPER ALLOY T=0.2	CONTACT AREA OF SOLDER AREA OF, M 40% OVER ALL	1
1	HOUSING	HIGH TEMP	COLOR BLACK	

LZG LZG INDUSTRIAL CO. LTD

PART NAME	Ø3.5 PHONE JACK	TOLERANCE UNLESS	0.0±0.25	0.°±2°	UNIT: mm	DRAWING:	林生財	DATE:	2020.02.18	SCALE:	1:1
PART NO.	ZB23020-06SBAP-A	OTHERWISE SPECIFIED:	0.00±0.20	0.0°±1°		CHECK:	李宏鑫	DATE:	2020.02.18	MATERIAL:	*
			0.000±0.10	0.00°±0.5°		APPROVAL:	杨进宝	DATE:	2020.02.18	DWG. NO.:	
						DRAWING NO.:			ZB23020-06SBAP-A	SHEET:	1/1